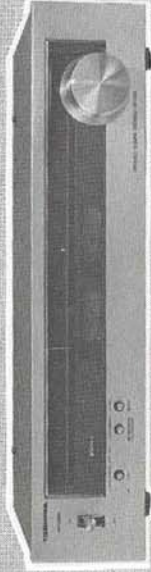


TOSHIBA

AM/FM STEREO TUNER

ST-335



The space below is provided to record the Serial Number of this unit.
The Serial Number can be found on the back of the product.

Serial No. _____
Retain this information for future reference.

BE SURE TO KEEP THIS BOOKLET AFTER READING THROUGH

WARNING

TO PREVENT FIRE OR SHOCK HAZARD, DO NOT EXPOSE THIS APPLIANCE TO RAIN OR MOISTURE.

CONTENTS

- Notice 1
- Location 1
- Various Parts and Their Functions 1 ~ 2
- Connection 3
- Connection of Antenna 4
- Connection of Earth Terminals GND 5
- Features 5
- Air Check Signal ON/OFF Selector Switch (AIR CHECK) 5
- Specifications 6

NOTICE

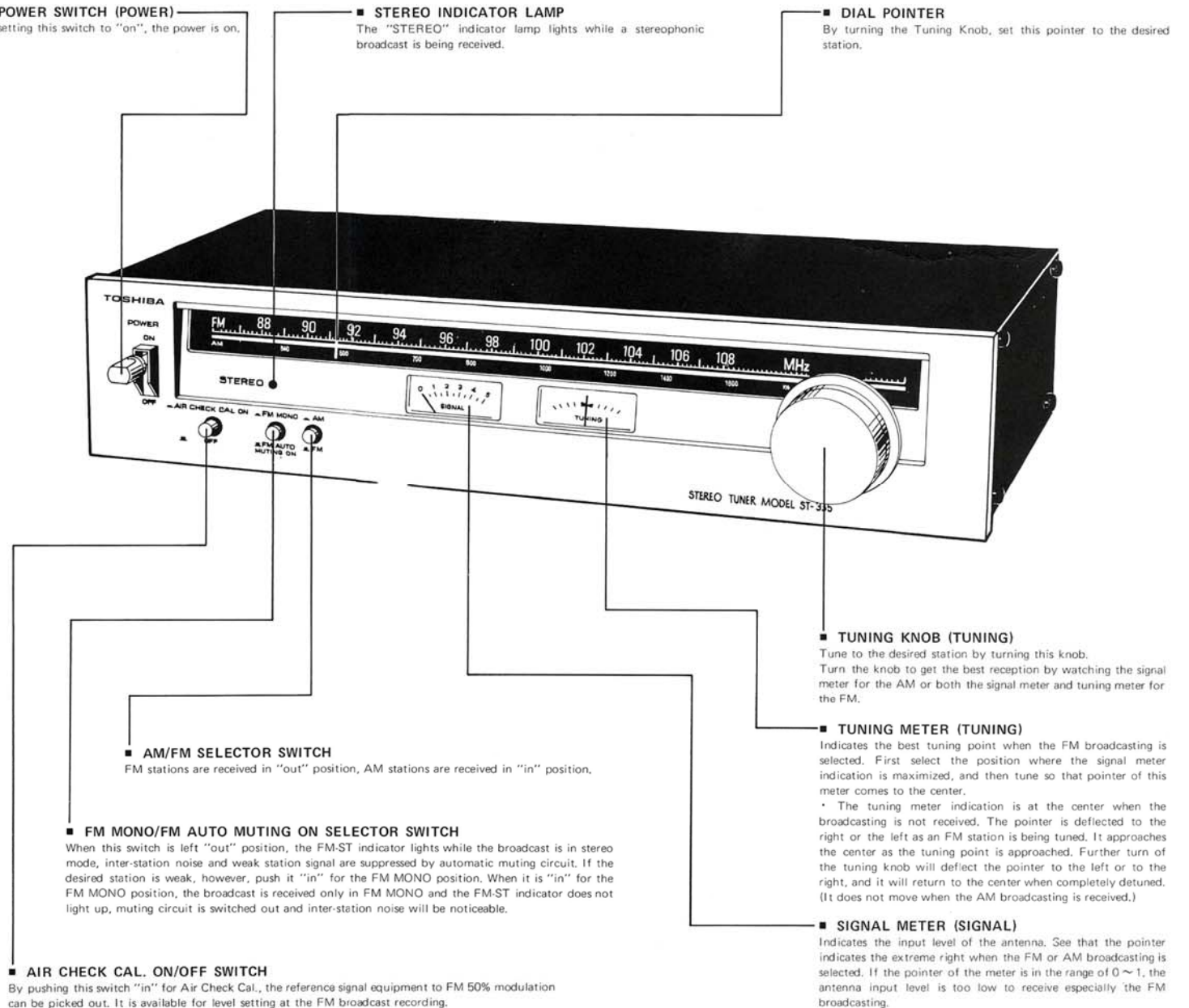
This product has been produced under severest quality control, but if it is found damaged or faulty due to a possible accident during transportation, please contact your retailer.

LOCATION

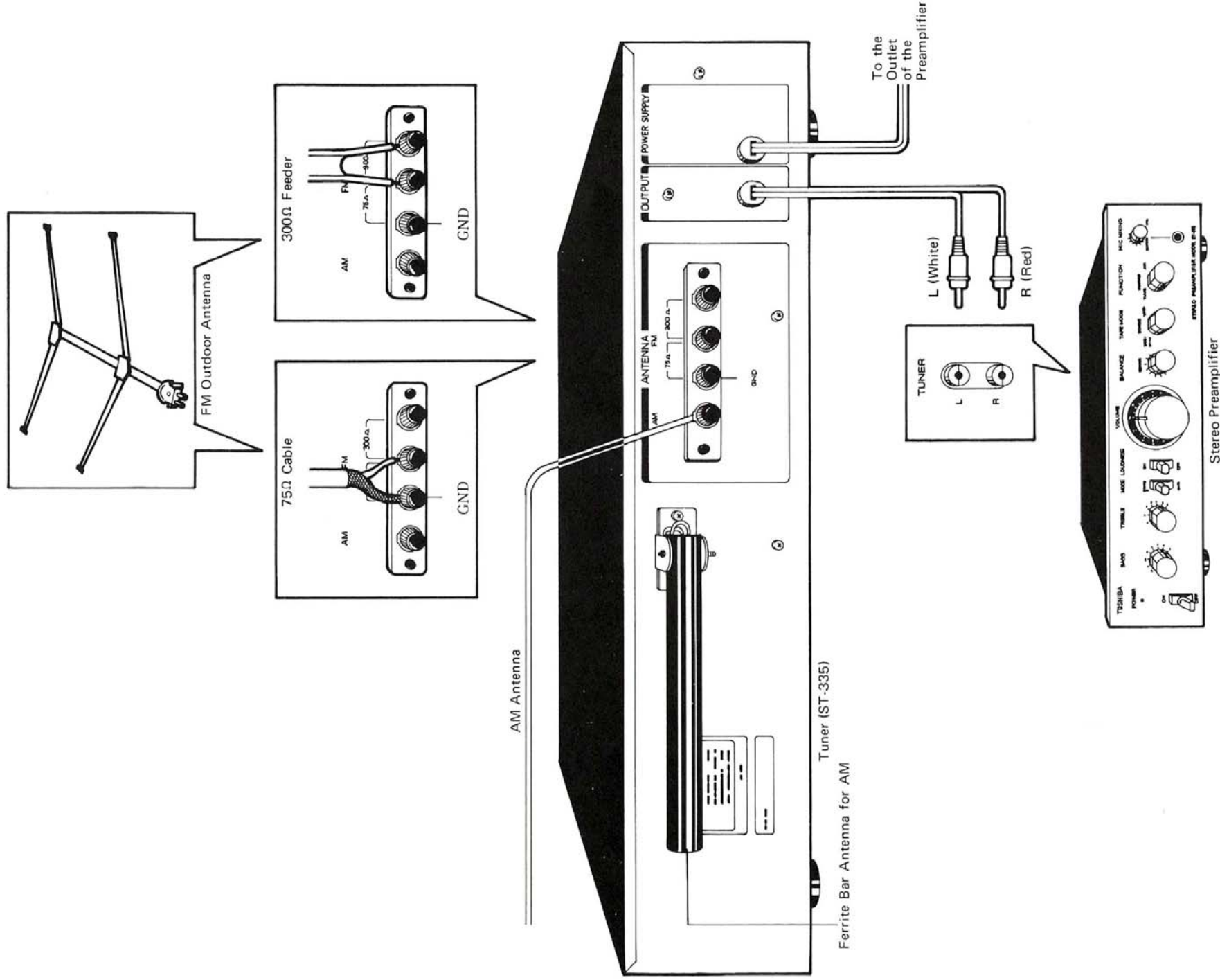
This is a high quality tuner using many IC's and transistors of high reliability. Since transistors and IC's are especially sensitive to heat, always keep and use the set at a dry, dustless and well-ventilated location. Do not place anything on the set nor place the set in a confined place or on a soft and thick cloth as it will harm the heat radiation.

Never place it on a stereo amplifier with much heat radiation nor near AM radio or a TV receiver as it will cause mutual interference.

VARIOUS PARTS AND THEIR FUNCTIONS



CONNECTION



CONNECTION OF ANTENNA

Note: Until all connections have been properly completed, leave the power supply cord unplugged, and the power switch OFF.

■ FM ANTENNA for Correct Reception

Where the signal level is high and there is no obstruction or heavy interference, the indoor antenna provided may be satisfactory. In areas of poor reception a properly installed outside antenna is essential.

NOTE:

1. Use an antenna which has good directional properties and sensitivity. Install it as far as possible from heavy traffic and obstructing buildings.
2. Should reception from a number of stations in a variety of locations be desired it may be necessary to fit a rotatable antenna which can be turned as required.
3. Keep the cable between the antenna and the tuner as short as possible.

Spurious interference will be avoided by using 75Ω coaxial cable.

■ FM (FM Antenna Terminals)

The FM antenna terminals are suitable for two types 75Ω and 300Ω.

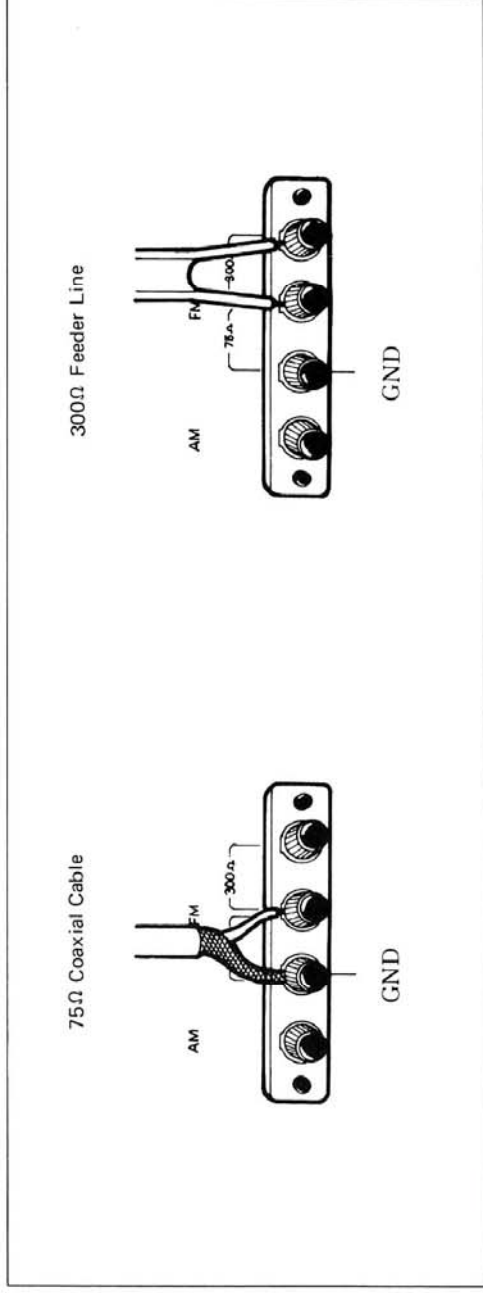
Use according to the antenna input used.

● "300Ω" (300Ω Antenna Terminals)

Connect an external antenna with 300Ω line impedance to this terminal. To use the supplied antenna, connect it to this terminal and fix where reception is best using tacks or other means.

● "75Ω" (75Ω Antenna Terminal)

Connect an external antenna with 75Ω line impedance to this terminal as shown in the figure below.

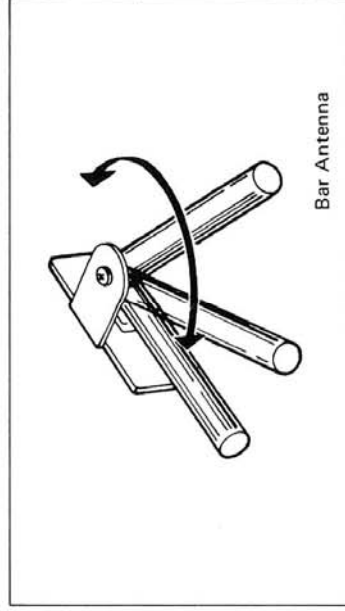


* In areas of good reception, where the T-shaped feeder antenna supplied with the ST-335 is sufficient, be sure to spread the antenna out in the shape of a T, and attach it to the wall or ceiling.

■ AM (AM Antenna Terminal)

If AM reception using the built-in ferrite rod antenna is not satisfactory, connect a wire 5 meters long or more to this terminal and stretch it to the window or outside of the door as high as possible.

In areas of good signal strength it is sufficient to use the ferrite bar antenna on the back of the chassis: pull it down away from the chassis.



NOTE:

Keep the power supply cord and output cables well away from the bar antenna, since proximity can cause hum and other noises. If noise still persists after removing the cord and cables, move the antenna, or the tuner itself, around to face different directions, since this will often prove effective.

CONNECTION OF EARTH TERMINAL GND

Connect this terminal to a metal (copper) rod in the earth or to a completely earthed water pipe (made of lead), never connect to a gas pipe.

FEATURES

- By Air Check Cal. Switch, you can always get a standard signal of FM 50% modulation for record level setting of your tape deck.
- In FM front end, FET and variable-triple-stage-capacitors are used giving this tuner high sensitivity and stability.
- In FM-IF amplifier section, integrated circuits and a high performance ceramic filter, with excellent phase characteristics, combined with LC circuit give low distortion and stable signal.
- In MPX section, a high performance PLL (Phase Locked Loop) system integrated circuit improves reliability and stability and reduces the effect of temperature change or performance deterioration caused by long period of use.
- Precise frequency linear variable capacitor, wide scale dial plate and highly sensitive meter offer easy and precise tuning.
- FM muting circuit for quiet tuning.

AIR CHECK CAL. ON/OFF SELECTOR SWITCH (AIR CHECK)

When this switch is depressed, an output signal, equivalent to a 50% modulated output of the FM Stereo signal, is delivered at the OUTPUT terminals. Use this to set the recording level for the broadcast. Adjust the deflection of the input level meters, in the case of cassette decks, to around $-2\text{dB} \sim 0\text{dB}$, and $0\text{dB} \sim +2\text{dB}$ for open reel decks. Pressing the switch once more releases the signal and inputs the broadcast. Doing this yields good recording conditions. Depending on tapes and decks, however, there may be some small variation in recording conditions. And since it is also advisable to change recording level to meet certain types of programs, be sure to make these level adjustments as required.

SPECIFICATIONS

FM Tuner Section

Receiving Frequency: 88 ~ 108 MHz
 Sensitivity (IHF): 2.0 μ V (11.2 dBf)
 50 dB Quieting Sensitivity: MONO 4.0 μ V (17.2 dBf)
 STEREO 45 μ V (38.2 dBf)
 Harmonic Distortions: MONO 0.2%
 STEREO 0.4%
 S/N: MONO 73 dB (IHF A network)
 STEREO 65 dB (IHF A network)
 Frequency Response: 30 ~ 15 kHz \pm 1 dB
 Selectivity (IHF): 60 dB
 Image Rejection: 50 dB
 IF Rejection: 90 dB
 Capture Ratio: 1.0 dB
 Spurious Response: 70 dB
 AM Suppression: 45 dB
 Stereo Separation: 40 dB (at 400 Hz)
 Output Level: MIN. 500 mV
 (at 400 Hz 100% modulation)

AM Tuner Section

Receiving Frequency: 525 ~ 1605 kHz
 Sensitivity (S/N 20 dB): 300 μ V/m
 Selectivity: 25 dB
 Image Rejection: 40 dB
 S/N: 45 dB

General

Power Supply: AC 120V 60 Hz
 Power Consumption: 9W
 Weight: 3.4 kg
 Dimensions (W x H x D): 420 x 96 x 257 (mm)
 Accessories: FM T-type antenna
 Owner's guide-book

Note: Specifications and design are subject to change without notice due to continuing improvements.



TOSHIBA
...In Touch with Tomorrow

MANUFACTURED BY

TOKYO SHIBAURA ELECTRIC CO., LTD.

2-1, 5CHOME GINZA, CHUO-KU, TOKYO 104, JAPAN

PRINTED IN JAPAN 22902001